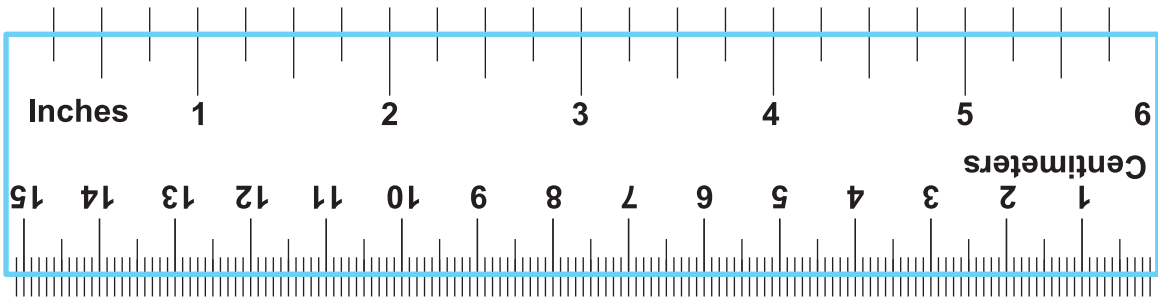
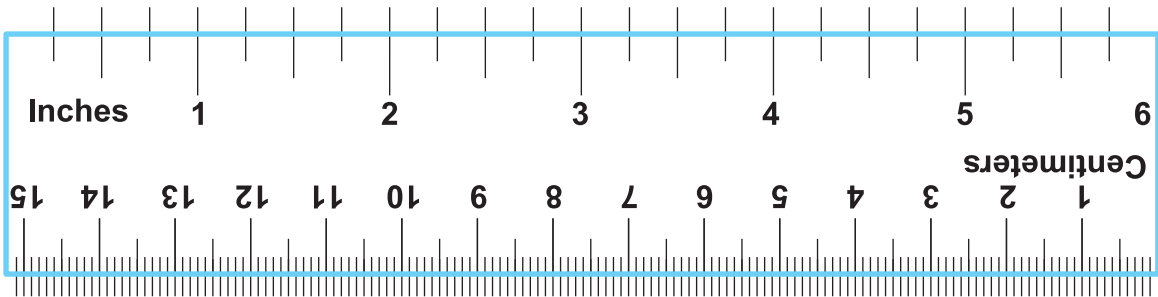
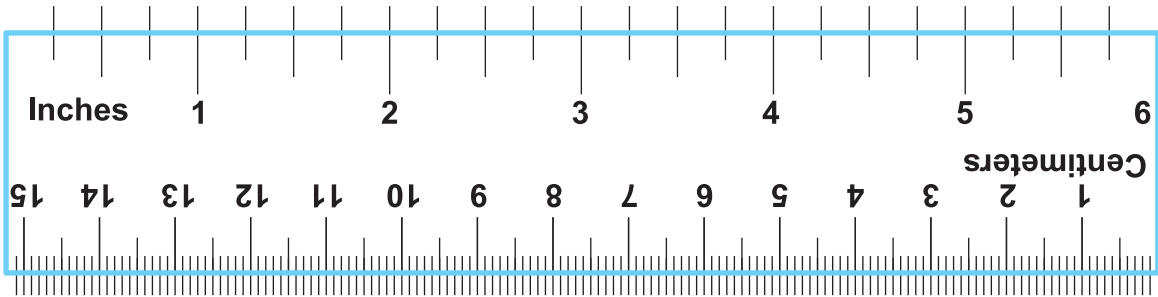
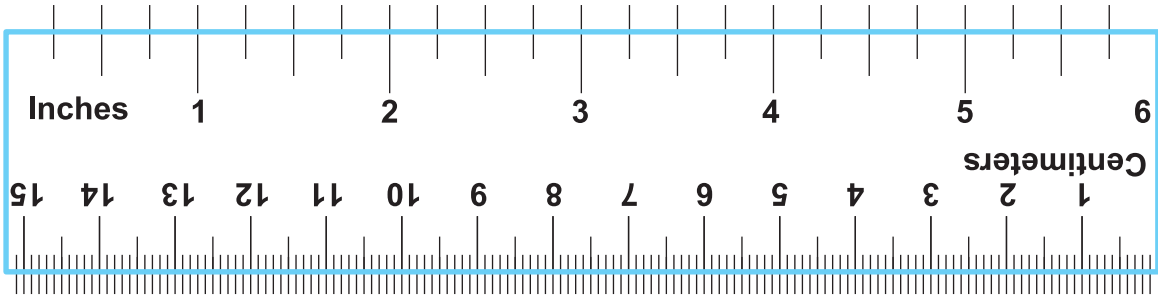
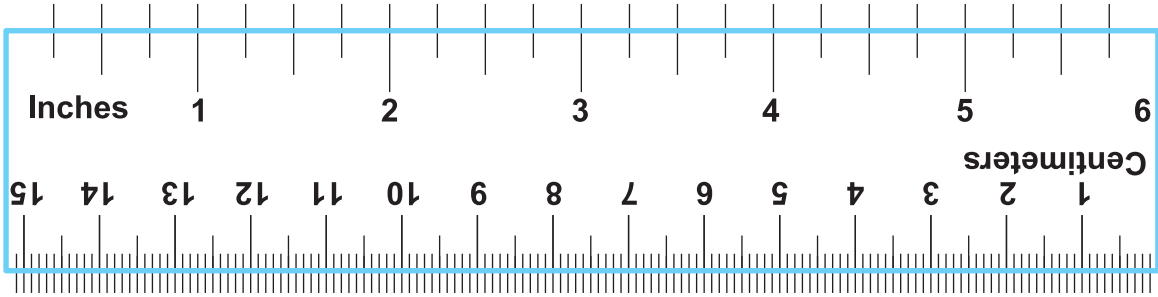




GRADE 3

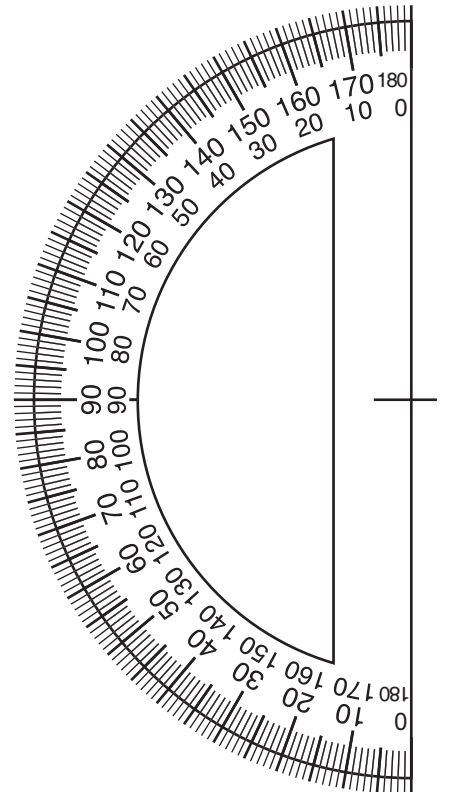
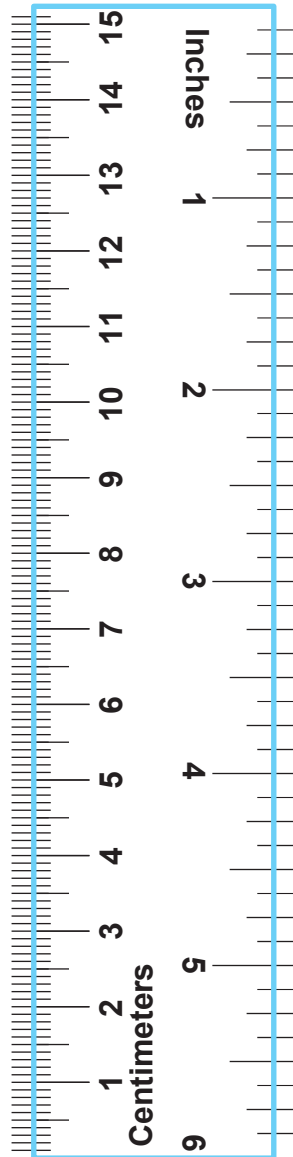
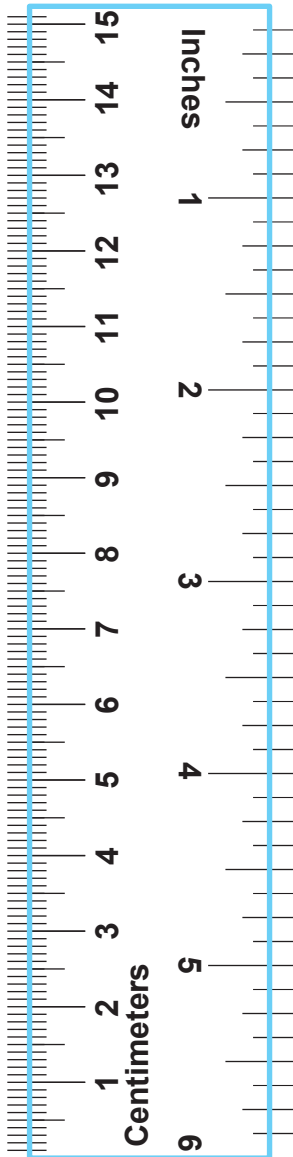
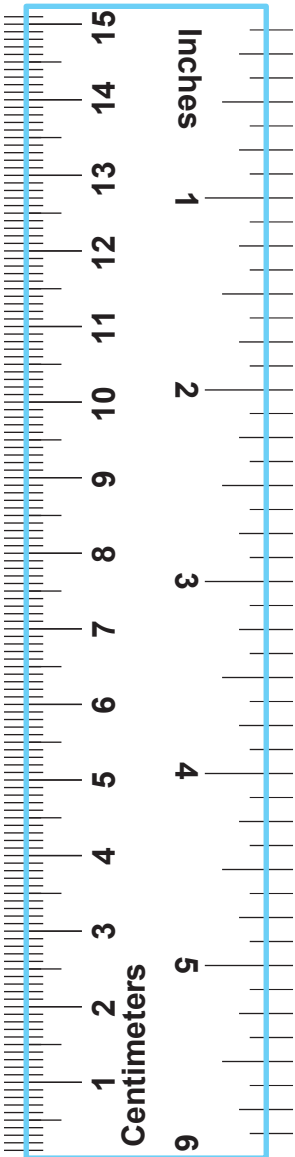
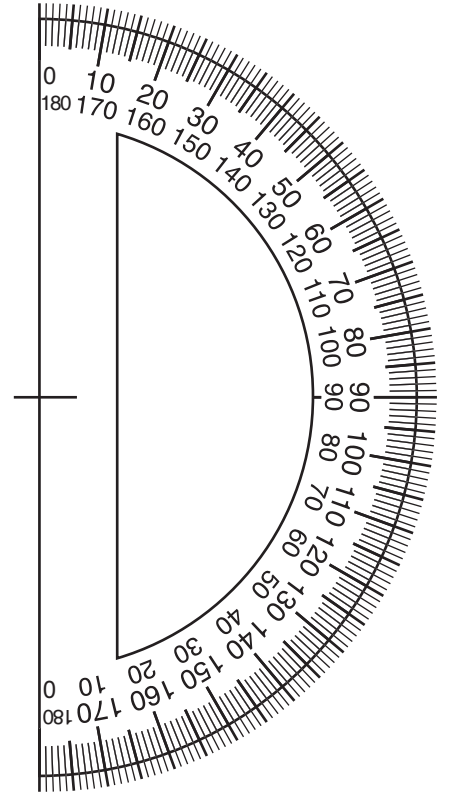
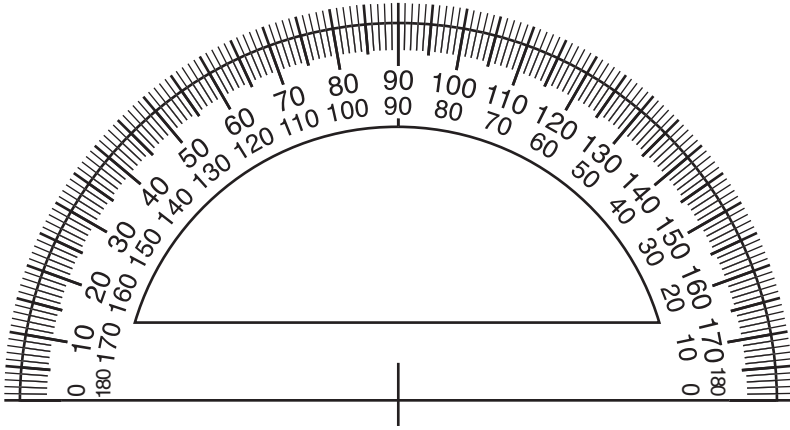
Mathematics Ruler Sheet





GRADE 4

Mathematics Protractor and Ruler Sheet



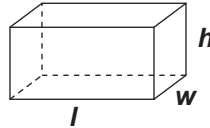


New Jersey Assessment of Skills and Knowledge Grade 5 MATHEMATICS REFERENCE SHEET

Use the information below to answer questions on the Mathematics section of the Grade Five Assessment of Skills and Knowledge (NJ ASK 5).

Rectangular Prism

$$\text{Volume} = l \times w \times h$$
$$= B \times h$$



USE THE FOLLOWING EQUIVALENTS FOR YOUR CALCULATIONS

52 weeks = 1 year 365 days = 1 year	12 inches = 1 foot 3 feet = 1 yard 5,280 feet = 1 mile	10 millimeters = 1 centimeter 100 centimeters = 1 meter 1000 meters = 1 kilometer
8 fluid ounces = 1 cup 2 cups = 1 pint 2 pints = 1 quart 4 quarts = 1 gallon 1000 milliliters (mL) = 1 liter (L)	16 ounces = 1 pound 2,000 pounds = 1 ton 1000 milligrams = 1 gram 1000 grams = 1 kilogram	

